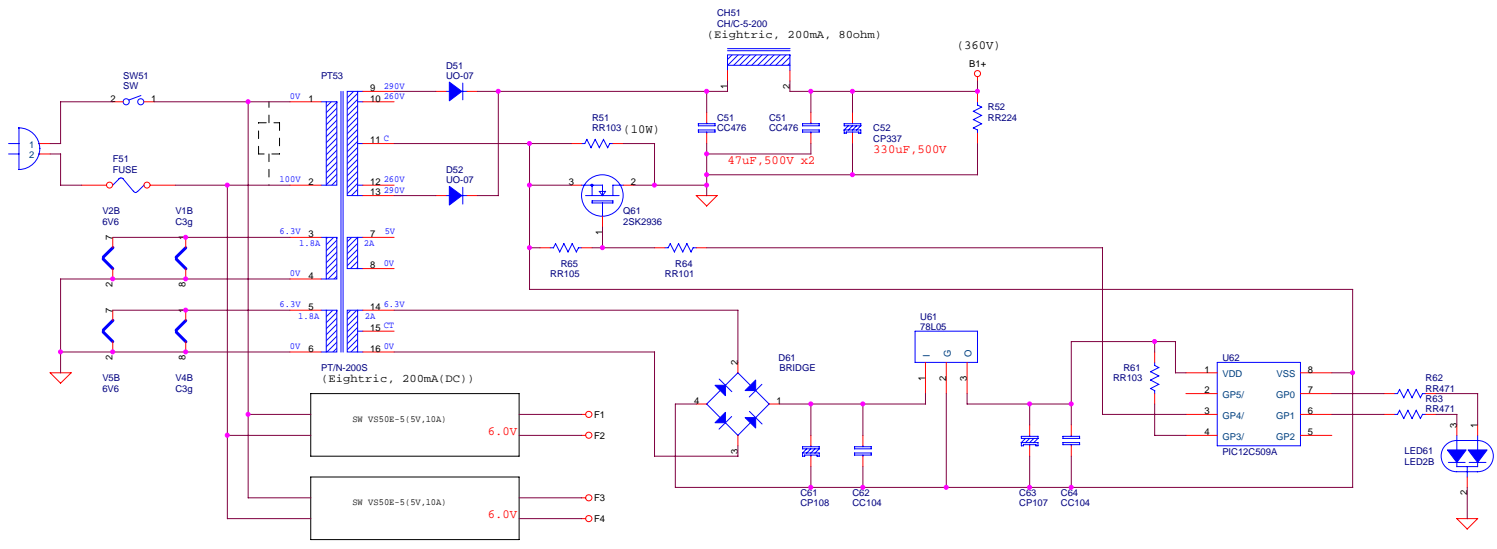
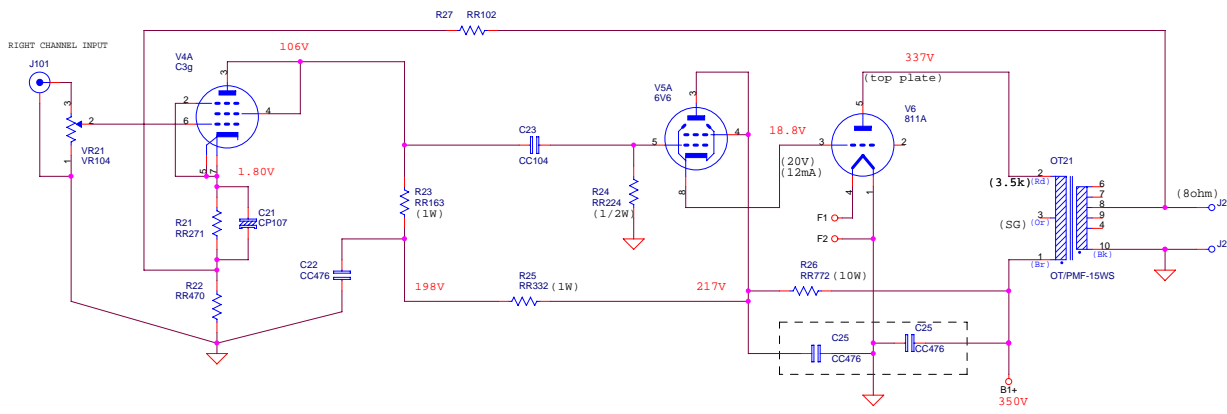


NFB: $8V_{pp}/0.52V_{pp} = 15.4$ ($8V_{pp}/2/1.414=2.8V_{rms} = 1W, 1kHz, sign wave$)
 then
 FB: $1+ Ab = 1 + 15.4 * (47/1047) = 1.69 = 4.6dB$
 ($8V_{pp}/0.9V_{pp} = 8.8$)
 max: $19.6V_{pp} / 2/1.414 = 6.9V_{rms} = 5.9W$
 ($19.6V_{pp}/2.28V_{pp}$)



| | | | |
|-------|--------------------------|-----------------|-----------|
| Title | | 811A single | |
| Size | A3 | Document Number | IT381 |
| Date: | Friday, October 08, 2010 | Sheet | 1 of 1 |
| | | Rev | <RevCode> |