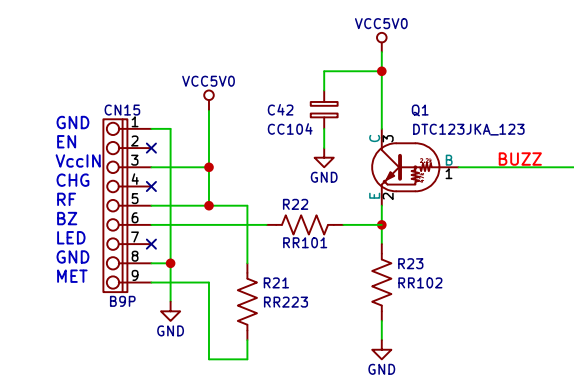
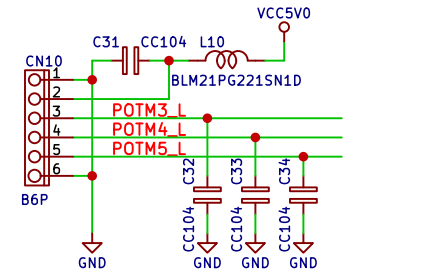
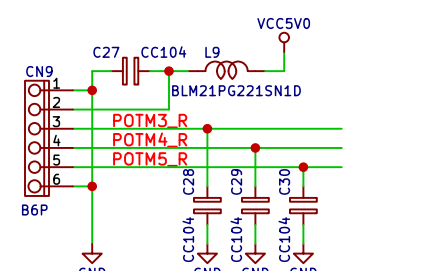
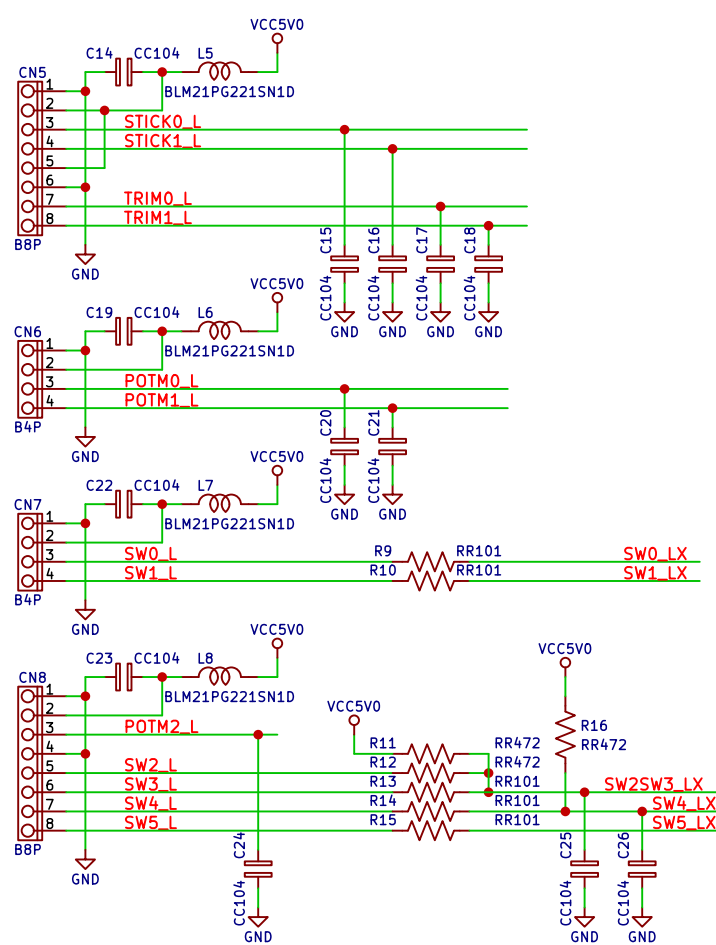
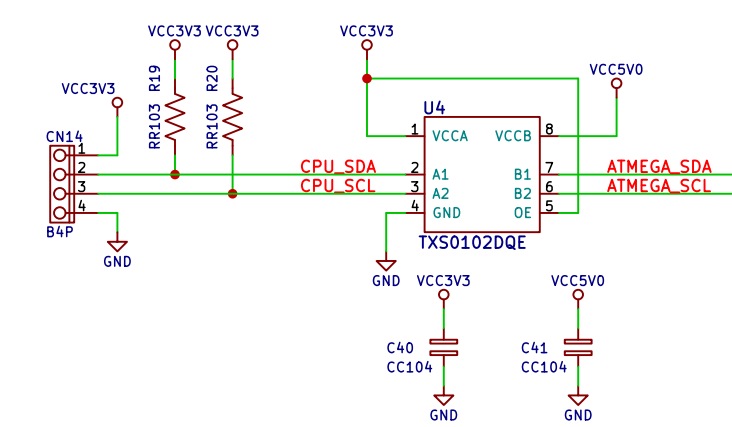
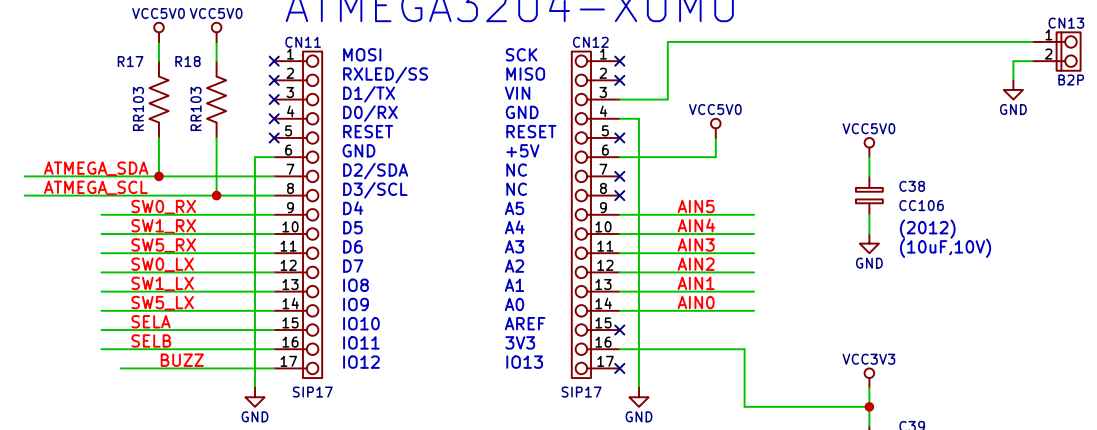
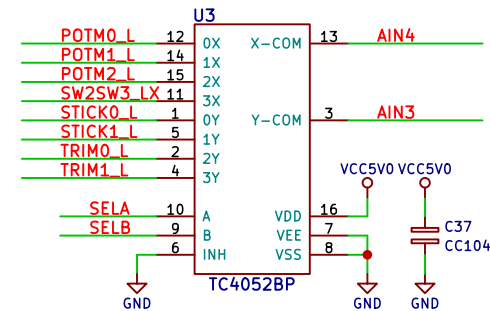
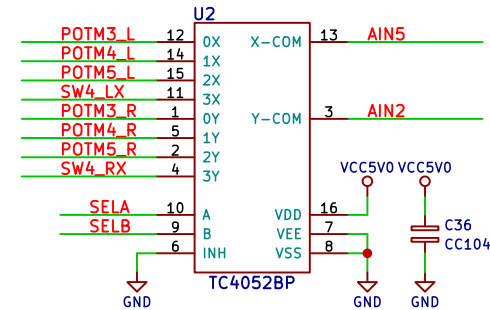
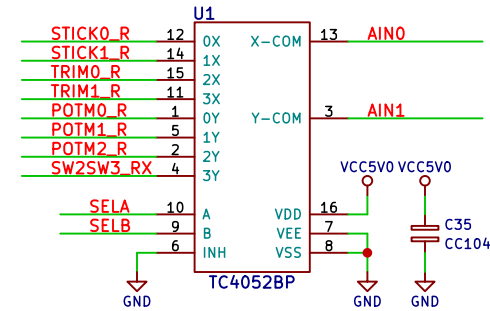
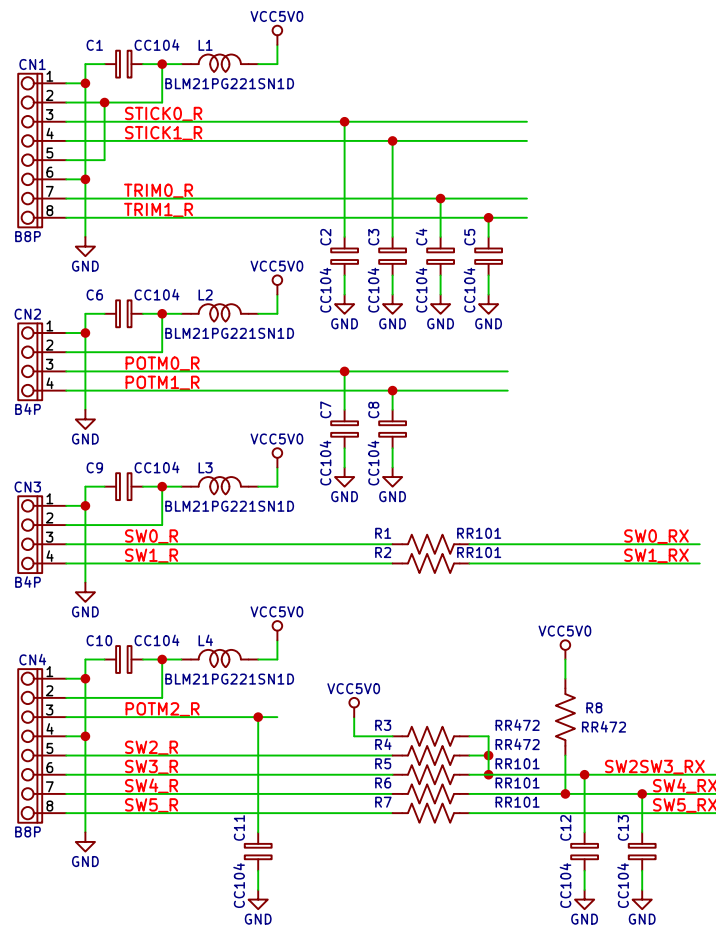


ARDUINO PRO MICRO (USB I/F) ATMEGA32U4-XUMU



I/F Shield2(multiplex type)		
Title: JOYPRO III		
Size: A3	Document Number: main07.sch	Rev: a
Date: 2019-08-27	Sheet: 2 of 2	