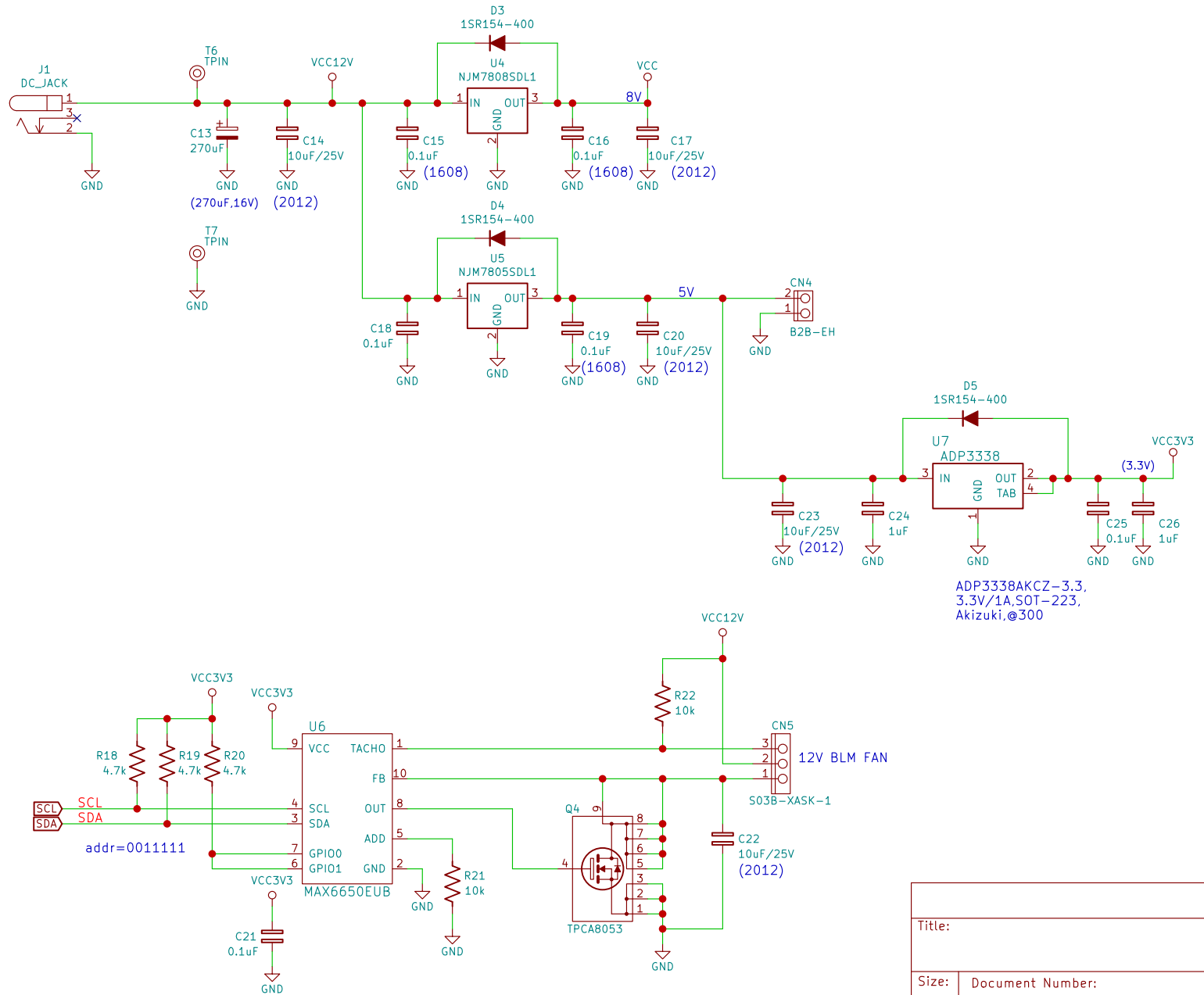


DC 12V



ADP3338AKCZ-3.3,  
3.3V/1A,SOT-223,  
Akizuki,@300

Title:		
Size: A4	Document Number: <b>DCINPUT.sch</b>	Rev:
Date:	Sheet: 3	of 3