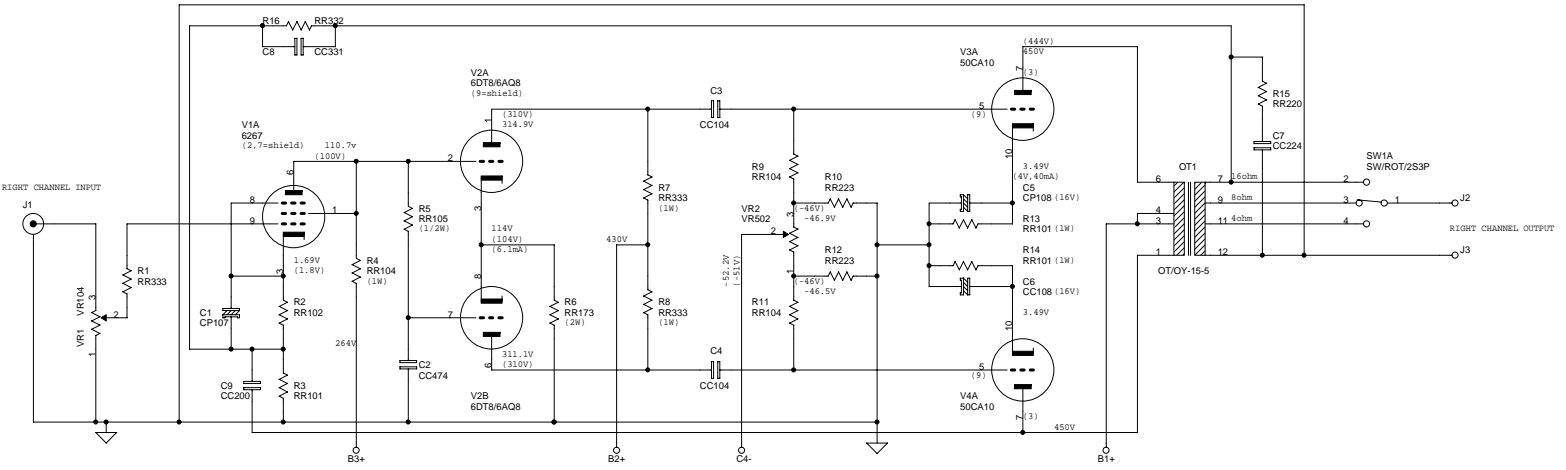


RIGHT CHANNEL INPUT



RIGHT CHANNEL OUTPUT