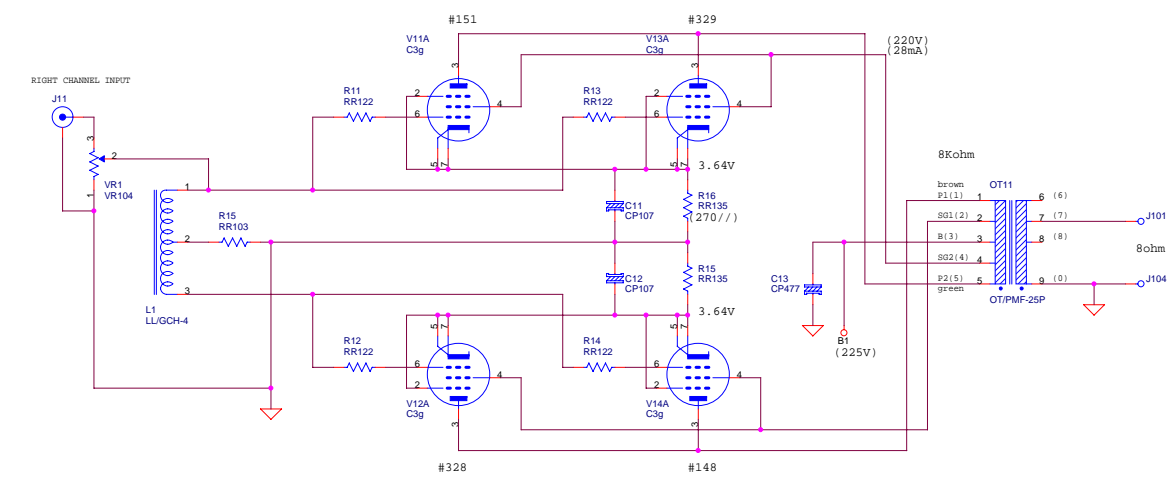
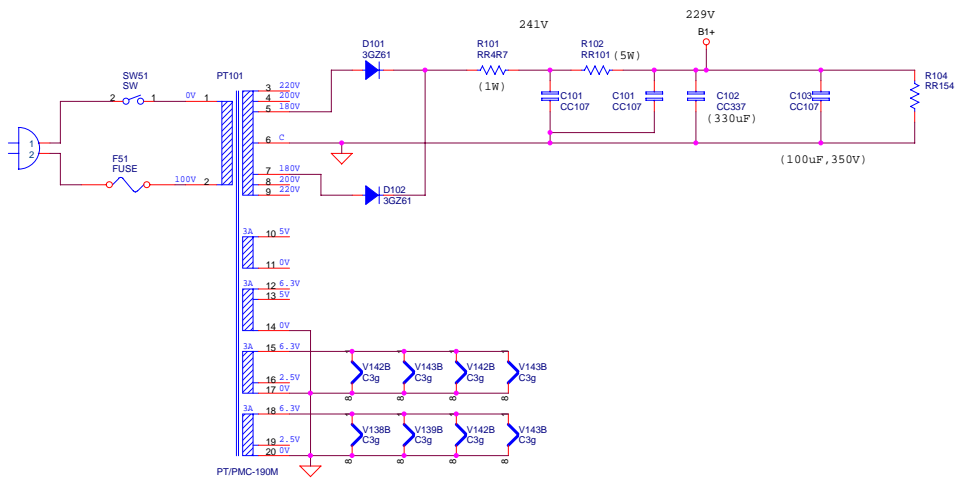


$2V_{pp} \rightarrow 6.96V_{pp}$   
 $7.12V_{pp} \rightarrow 19.4V_{pp}$  (6W)  
 $(2V_{rms} = 5.66V_{pp} \rightarrow 15.43V_{pp}, 3.7W)$



15/0.624=24.0 (63dB)



Title		C3g_Uni_Para_PP	
Size	A3	Document Number	IR370
Date:	Thursday, July 08, 2010	Sheet	1 of 1
		Rev	<RevCode>